

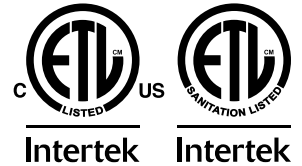


## ***Ice Cream Freezers***

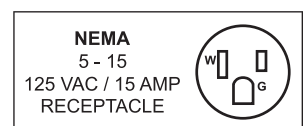
*Models FR-CN-0150, 0200, 0320, 0400, 0500  
Items 45291, 45292, 45293, 49294, 49295  
Instruction Manual*



*Revised - 09/15/2022*



Toll Free: 1-800-465-0234  
Fax: 905-607-0234  
Email: [service@omcan.com](mailto:service@omcan.com)  
[www.omcan.com](http://www.omcan.com)



# ***Table of Contents***

Model FR-CN-0150 / Model FR-CN-0200 / Model FR-CN-0320  
Model FR-CN-0400 / Model FR-CN-0500

---

<b>Section</b>	<b>Page</b>
Disclaimer -----	3
General Information -----	4 - 5
Safety and Warranty -----	5 - 7
Technical Specifications -----	7 - 8
Operation -----	8
Maintenance -----	9
Troubleshooting -----	9 - 10
Parts Breakdown -----	11 - 16
Electrical Schematics -----	17 - 18
Warranty Registration -----	19

***OMCAN IS NOT RESPONSIBLE FOR ANY DAMAGES DUE TO WATER LEAKS. WARRANTY FOR WATER LEAKS IS VOID IF THE AMBIENT ROOM TEMPERATURE EXCEEDS 75°F AND 55% RELATIVE HUMIDITY, AND THE APPLIANCE DRAIN IS NOT CONNECTED DIRECTLY TO A FLOOR DRAIN.***

# ***General Information***

---

**Omcan Manufacturing and Distributing Company Inc., Food Machinery of America, Inc. dba Omcan and Omcan Inc. are not responsible for any harm or injury caused due to any person's improper or negligent use of this equipment. The product shall only be operated by someone over the age of 18, of sound mind, and not under the influence of any drugs or alcohol, who has been trained in the correct operation of this machine, and is wearing authorized, proper safety clothing. Any modification to the machine voids any warranty, and may cause harm to individuals using the machine or in the vicinity of the machine while in operation.**

## **CHECK PACKAGE UPON ARRIVAL**

Upon receipt of an Omcan shipment please inspect for external damage. If no damage is evident on the external packaging, open carton to ensure all ordered items are within the box, and there is no concealed damage to the machine. If the package has suffered rough handling, bumps or damage (visible or concealed), please note it on the bill of lading before accepting the delivery and contact Omcan within 24 hours, so we may initiate a claim with the carrier. A detailed report on the extent of the damage caused to the machine must be filled out within three days, from the delivery date shown in the shipping documents. Omcan has no recourse for damaged products that were shipped collect or third party.

**Before operating any equipment, always read and familiarize yourself with all operation and safety instructions.**

**Omcan would like to thank you for purchasing this machine. It's of the utmost importance to save these instructions for future reference. Also save the original box and packaging for shipping the equipment if servicing or returning of the machine is required.**

---

**Omcan Fabrication et distribution Compañie Limité et Food Machinery d'Amérique, dba Omcan et Omcan Inc. ne sont pas responsables de tout dommage ou blessure causé du fait que toute personne ait utilisé cet équipement de façon irrégulière. Le produit ne doit être exploité que par quelqu'un de plus de 18 ans, saine d'esprit, et pas sous l'influence d'une drogue ou d'acohol, qui a été formé pour utiliser cette machine correctement, et est vêtu de vêtements de sécurité approprié. Toute modification de la machine annule toute garantie, et peut causer un préjudice à des personnes utilisant la machine ou des personnes à proximité de la machine pendant son fonctionnement.**

## **VÉRIFIEZ LE COLIS DÈS RÉCEPTION**

Dès réception d'une expédition d'Omcan veuillez inspecter pour dommages externes. Si aucun dommage n'est visible sur l'emballage externe, ouvrez le carton afin de s'assurer que tous les éléments commandés sont dans la boîte, et il n'y a aucun dommage dissimulé à la machine. Si le colis n'a subi aucune mauvaises manipulations, de bosses ou de dommages (visible ou cachée), notez-le sur le bond de livraison avant d'accepter la livraison et contactez Omcan dans les 24 heures qui suivent, pour que nous puissions engager une réclamation auprès du transporteur. Un rapport détaillé sur l'étendue des dommages causés à la machine doit être rempli dans un délai de trois jours, à compter de la date de livraison indiquée dans les documents d'expédition. Omcan n'a aucun droit de recours pour les produits endommagés qui ont été expédiées ou cueilli par un tiers transporteur.



# General Information

---

Avant d'utiliser n'importe quel équipement, toujours lire et vous familiariser avec toutes les opérations et les consignes de sécurité.

Omcan voudrais vous remercier d'avoir choisi cette machine. Il est primordial de conserver ces instructions pour une référence ultérieure. Également conservez la boîte originale et l'emballage pour l'expédition de l'équipement si l'entretien ou le retour de la machine est nécessaire.

---

Omcan Empresa De Fabricacion Y Distribucion Inc. Y Maquinaria De Alimentos De America, Inc. dba Omcan y Omcan Inc. no son responsables de ningun daño o perjuicio causado por cualquier persona inadecuada o el uso descuidado de este equipo. El producto solo podra ser operado por una persona mayor de 18 años, en su sano juicio y no bajo alguna influencia de droga o alcohol, y que este ha sido entrenado en el correcto funcionamiento de esta máquina, y ésta usando ropa apropiada y autorizada. Cualquier modificación a la máquina anula la garantía y puede causar daños a las personas usando la máquina mientras esta en el funcionamiento.

## REVISE EL PAQUETE A SU LLEGADA

Tras la recepcion de un envio Omcan favor inspeccionar daños externos. Si no hay daños evidentes en el empaque exterior, Habra el carton para asegurarse que todos los articulos solicitados estén dentro de la caja y no encuentre daños ocultos en la máquina. Si el paquete ha sufrido un manejo de poco cuidado, golpes o daños (visible o oculto) por favor anote en la factura antes de aceptar la entrega y contacte Omcan dentro de las 24 horas, de modo que podamos iniciar una reclamación con la compañía. Un informe detallado sobre los daños causados a la máquina debe ser llenado en el plazo de tres días, desde la fecha de entrega que se muestra en los documentos de envío. Omcan no tiene ningun recurso por productos dañados que se enviaron a recoger por terceros.

Antes de utilizar cualquier equipo, siempre lea y familiarizarse con todas las instrucciones de funcionamiento y seguridad.

Omcan le gustaría darle las gracias por la compra de esta máquina. Es de la mayor importancia para salvar estas instrucciones para futuras consultas. Además, guarda la caja original y el embalaje para el envío del equipo si servicio técnico o devolución de la máquina que se requiere.

# Safety and Warranty

---

- The appliance can be used by children aged from 8 years and above and persons with reduced physical, sensory or mental capabilities, or lack of experience and knowledge, if they have been given supervision or instruction concerning use of the appliance in a safe way and understand the hazards involved.
- Children shall not play with the appliance.
- Cleaning and user maintenance shall not be made by children without supervision.

# ***Safety and Warranty***

---

## **TRANSPORTATION AND PLACEMENT**

- When transporting the chest freezer from one place to another, the inclination of the cabinet should not exceed 45 degrees, for prevention against compressor or system damage.
- Before use, remove all the packing material. The back side of the cabinet should be more than 20cm away from the wall, both flank sides more than 20cm.
- The freezer should be put in well-ventilated, dry place. Don't use it under direct sunshine. The freezer should be kept away from water sink, heat source and any volatile, corrosive material.

## **POWER SOURCE AND TEST-RUNNING**

- Specified capacity of the wire is 7A. Section squares of the wire is 0.82mm<sup>2</sup>. Single line or compound lines are all allowed. The fuse of 2.5A specified electric current should be installed. (Power cord should be replaced with the same of 7A and 0.82mm<sup>2</sup>, when it is damaged).
- Single-phase power supply, 60Hz, voltage range 98~132V. If the voltage is unstable, please install a voltage stabilizer with capacity above 1000W.
- Avoid turning on and off the power too frequently. If the power is turned off, wait an interval of 5 minutes before turning it on again.
- When the freezer will be out of use for a long time, disconnect the power first, then clean it. Please examine the circuit whether it is excellent before reuse.

**RESIDENTIAL USERS: Vendor assumes no liability for parts or labor coverage for component failure or other damages resulting from installation in non-commercial or residential applications. The right is reserved to deny shipment for residential usage; if this occurs, you will be notified as soon as possible.**

## **1 YEAR PARTS AND BENCH WARRANTY**

**Within the warranty period, contact Omcan Inc. at 1-800-465-0234 to schedule a drop off to either an Omcan authorized service depot in the area, or to an Omcan Service warehouse to repair the equipment.**

**Unauthorized maintenance will void the warranty. Warranty covers electrical and part failures, not improper use.**

**Please see <https://omcan.com/disclaimer> for complete info.**

## **WARNING:**

The packaging components are classified as normal solid urban waste and can therefore be disposed of without difficulty.

**In any case, for suitable recycling, we suggest disposing of the products separately (differentiated waste) according to the current norms.**



# Safety and Warranty

DO NOT DISCARD ANY PACKAGING MATERIALS IN THE ENVIRONMENT!

## Technical Specifications

Model	FR-CN-0150	FR-CN-0200	FR-CN-0320
Freezer Capacity	150 L / 5.3 cu.ft	201 L / 7.1 cu.ft	311 L / 11 cu.ft
Built-In Lock	Yes		
Number of Baskets	1		
Basket Dimensions	16.85" x 7.1" x 7.9" 428 x 180 x 201mm		19.2" x 7.1" x 7.9" 488 x 180 x 201mm
Max Ambient Temp Rating	24°C / 75°F		
Temperature Range	-10 to -18°C / 14 to -0.4°F		
Refrigerant	R290		
Electrical	110V / 60Hz / 1		
Weight	75 lbs. / 34 kgs.	79 lbs. / 36 kgs.	99 lbs. / 45 kgs.
Packaging Weight	86 lbs. / 39 kgs.	90 lbs. / 41 kgs.	110 lbs. / 50 kgs.
Dimensions	21.3" x 29" x 30.5" 540 x 735 x 775mm	21.3" x 34" x 30.5" 540 x 860 x 775mm	23.6" x 45.7" x 30.5" 600 x 1160 x 775mm
Packaging Dimensions	24" x 31" x 33" 605 x 790 x 840mm	36" x 24" x 33" 915 x 605 x 840mm	48" x 25.8" x 33" 1220 x 655 x 840mm
Item Number	45291	45292	45293

# Technical Specifications

Model	FR-CN-0400	FR-CN-0500
Freezer Capacity	358 L / 12.6 cu.ft	466 L / 16.5 cu.ft
Built-In Lock	Yes	
Number of Baskets	1	
Basket Dimensions	22.8" x 11" x 10.8" 580 x 280 x 275mm	
Max Ambient Temp Rating	24°C / 75°F	
Temperature Range	-10 to -18°C / 14 to -0.4°F	
Refrigerant	R290	
Electrical	110V / 60Hz / 1	
Weight	134.5 lbs. / 61 kgs.	156.5 lbs. / 71 kgs.
Packaging Weight	154.3 lbs. / 70 kgs.	172 lbs. / 78 kgs.
Dimensions	53.6" x 26.6" x 30.8" 1361 x 675 x 782mm	66.5" x 26.6" x 30.8" 1688 x 675 x 782mm
Packaging Dimensions	55.7" x 30.3" x 34.3" 1415 x 770 x 870mm	68.9" x 30.3" x 34.3" 1742 x 770 x 870mm
Item Number	49294	49295

## Operation

### OPERATION OF THE TEMPERATURE CONTROL KNOB

- The temperature in the cabinet can be controlled with the temperature control knob.
- The knob should be kept upright normally to adjust the temperature. FREEZING MAX is the strongest cooling position and is suitable for fast freezing. Do not keep the knob at this point for long.

### FOOD STORAGE

- There must be space between the foods stored in the cabinet, between the foods and the inner surface of the cabinet, so as to keep good ventilation of cold air and freeze evenly. Do not put in any bottled or canned beverage with freezing point above the temperature in the cabinet when it is below zero.
- For foods that should be moisture-free or lose water easily, wrap them up with hermetical food bags or fresh films before putting in the cabinet for the sake of avoiding smell-mixing and reducing frosting.
- Storage of volatile and combustible gases, liquids such as strong alkalies, strong acids, petrol ,etc. is forbidden.



# Maintenance

- The freezer should be cleaned regularly. When cleaning, turn off the power, take out the foods in the cabinet, clean the inside using water or a little neutral detergent.
  - Do not use boiling water, acid, chemical diluents, petrol and oil, or dirt-removing powder.
  - Dry it after cleaning.
  - Use light soap water when cleaning the door seal, apply a little of talcum powder on it after natural drying to extend its service life.
  - Use soft cloth with water or a little detergent to clean the out surface.
- Note: keeping the power supply and lower part of connect wires away from water to avoid electricity leakage.**
- Except common breakdowns, those who are not service technician should not take apart and repair the freezer on their own so as to avoid worsening the trouble. Unauthorized repair of electrical part such as compressor, temperature controller is forbidden.

## DEFROSTING

- Defrost for better freezing efficiency when the frost film in the cabinet is 4-5mm thick.
- When defrosting, turn off the power, take out the frozen foods, open the door for warming and melting. Use soft cloth to absorb water and clean it up.
- Do not use sharp metal tools such as steel brush to clean the frost film when defrosting so as to avoid evaporator damage.

# Troubleshooting

Problem	Cause	Solution
The indicator is not on. The compressor does not start.	The plug isn't connected to the socket really.	Replug it.
	No power	Connect the socket with power.
The indicator is on, but the compressor doesn't work and buzzes only	The power voltage is <98V.	Put a power regulator more than 1000W power together.
The compressor stops a minute after start, and restart after a few minutes, and so repeatedly.	The power voltage is >132V.	

# Troubleshooting

---

The compressor works normally, but the temperature in the cabinet lowers too slowly.	The door is opened too frequently.	Reduce open times.
	The food in the cabinet is too much, and placed improperly.	Place foods properly keep place between them for ventilation of cold air.
	The frost film is too thick.	Take out foods and defrost.
	The surface of the condenser is too dirty.	Stop and clean the condenser.
	The door seals badly.	Adjust the door seal.
The noise is too loud	The freezer is placed unstably.	Place it stably.
	The fixing of the freezer is loose.	Tighten the fixing.
	There's contact between pipes.	Separate them.

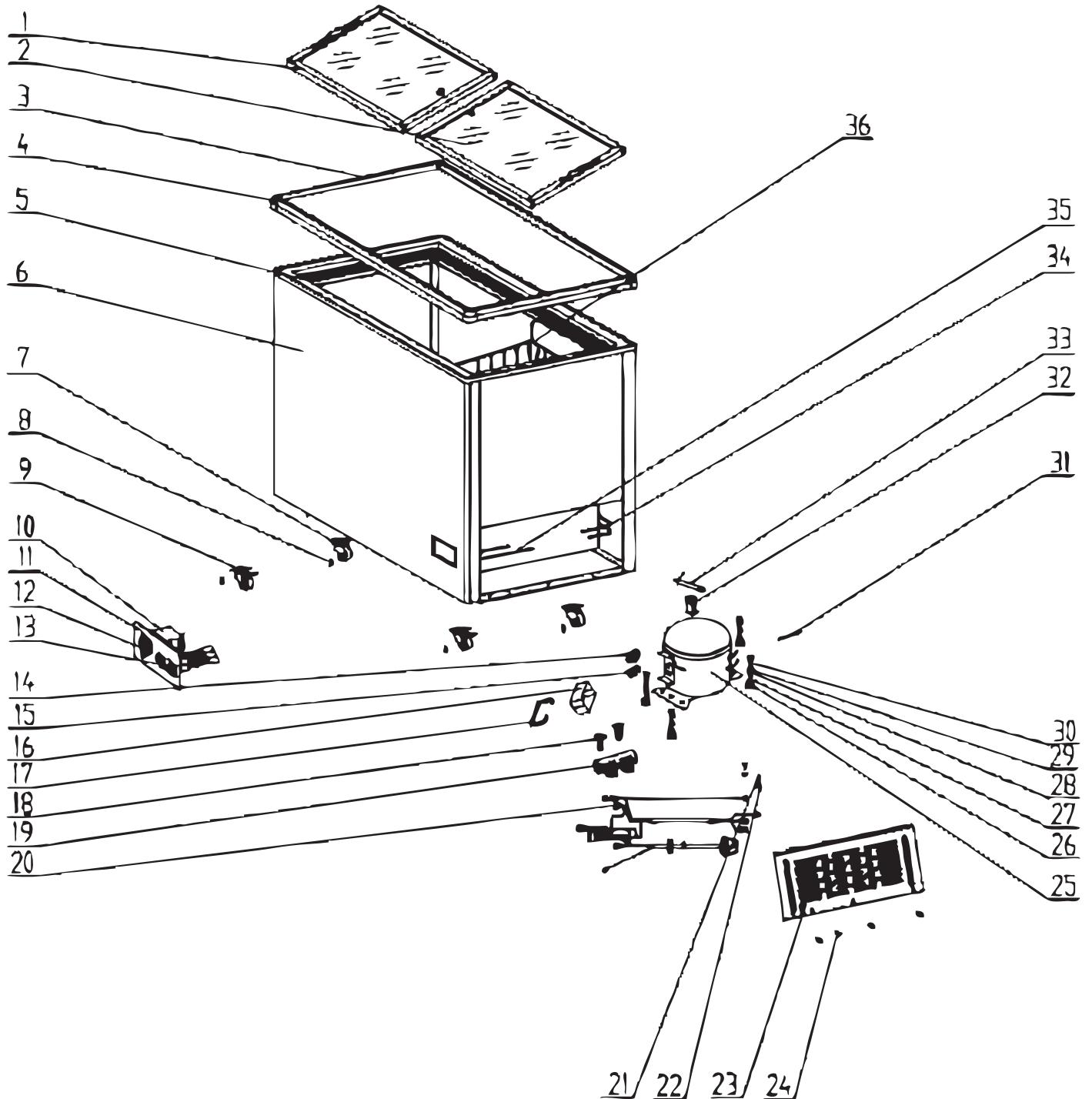
## THE FOLLOWING ARE NOT FAULTS:

- When the freezer is working or after it stops for a while, the refrigerant in the pipes is cycling and gives out "running water" sounds.
- The surface temperature of the compressor may be up to 70°C~80°C when it is working.
- The back side of the freezer gives out heat.
- In rainy season, the outer surface of the cabinet may have dew, which is not a defect on normal use. Just dry it with a piece of cloth.

# Parts Breakdown

**Model FR-CN-0150** 45291

**Model FR-CN-0200** 45292



# Parts Breakdown

## Model FR-CN-0150 45291

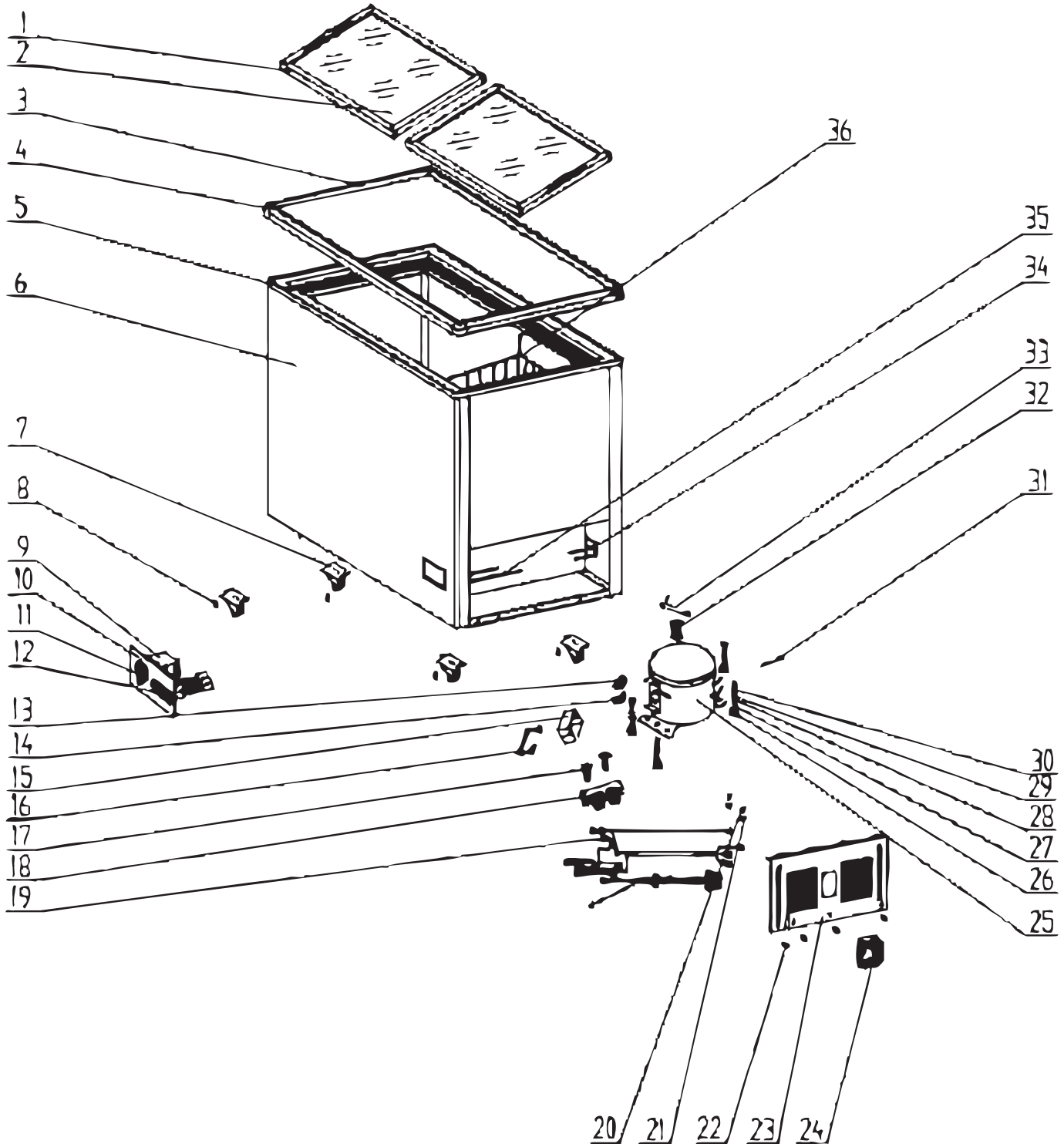
Item No.	Description	Position	Item No.	Description	Position	Item No.	Description	Position
64432	Upper Glass Door for 45291	1	79808	PTC Starter for 45291	14	79818	Connecting Sleeve for 45291	27
79798	Lower Door for 45291	2	79809	Protector for 45291	15	79819	Washer for 45291	28
64433	Aluminum Alloy Frame for 45291	3	79810	Cover for 45291	16	79820	Spring Hooks for 45291	29
AG529	Corner for 45291	4	79811	Clamp for 45291	17	79821	Bolt for 45291	30
64434	Cabinet Plastic Frame for 45291	5	64436	Screw for 45291	18	79822	Charge Pipe for 45291	31
79802	Cabinet for 45291	6	79812	Printable Double-Hollow Wire Clamp for 45291	19	64441	Filter Support for 45291	32
79803	Castor for 45291	7	79814	Power Plug for 45291	20	79823	Filter for 45291	33
64435	Screw for 45291	8	64437	Copper Screw for 45291	21	79824	Back Condensor for 45291	34
AE741	Castor with Brakes for 45291	9	64438	Washer for 45291	22	79825	Front Condensor for 45291	35
79804	Thermostat for 45291	10	64439	Tapping Screw for 45291	23	63990	Basket for 45291	36
79805	Thermostat Control Panel for 45291	11	79815	Shutter for 45291	24	AE742	Key for 45291	
79806	Thermostat Knob for 45291	12	79816	Compressor for 45291	25			
39587	Indicator Lamp for 45291	13	79817	Rubber Boot for 45291	26			

## Model FR-CN-0200 45292

Item No.	Description	Position	Item No.	Description	Position	Item No.	Description	Position
64442	Upper Door for 45292	1	64449	PTC Starter for 45292	14	64462	Connecting Sleeve for 45292	27
64443	Lower Door for 45292	2	64450	Protector for 45292	15	64463	Washer for 45292	28
64444	Aluminum Alloy Frame for 45292	3	64451	Cover for 45292	16	64464	Spring Hooks for 45292	29
64445	Corner for 45292	4	64452	Clamp for 45292	17	64465	Bolt for 45292	30
64446	Cabinet Plastic Frame for 45292	5	64453	Screw for 45292	18	64466	Charge Pipe for 45292	31
64447	Cabinet for 45292	6	64454	Double Hollow Wire Clamp for 45292	19	64467	Filter Support for 45292	32
79803	Castor for 45292	7	64455	Power Plug for 45292	20	79823	Filter for 45292	33
64448	Screw for 45292	8	64456	Copper Screw for 45292	21	64468	Back Condenser for 45292	34
AE741	Castor with Brakes for 45292	9	64457	Washer for 45292	22	64469	Front Condenser for 45292	35
79804	Thermostat for 45292	10	64458	Tapping Screw for 45292	23	63990	Basket for 45292	36
79805	Thermostat Control Panel for 45292	11	64459	Shutter for 45292	24	AE743	Key for 45292	
79806	Thermostat Knob for 45292	12	28451	Compressor for 45292	25			
39587	Indicator Lamp for 45292	13	64461	Rubber Boot for 45292	26			

# Parts Breakdown

Model FR-CN-0320 45293



# Parts Breakdown

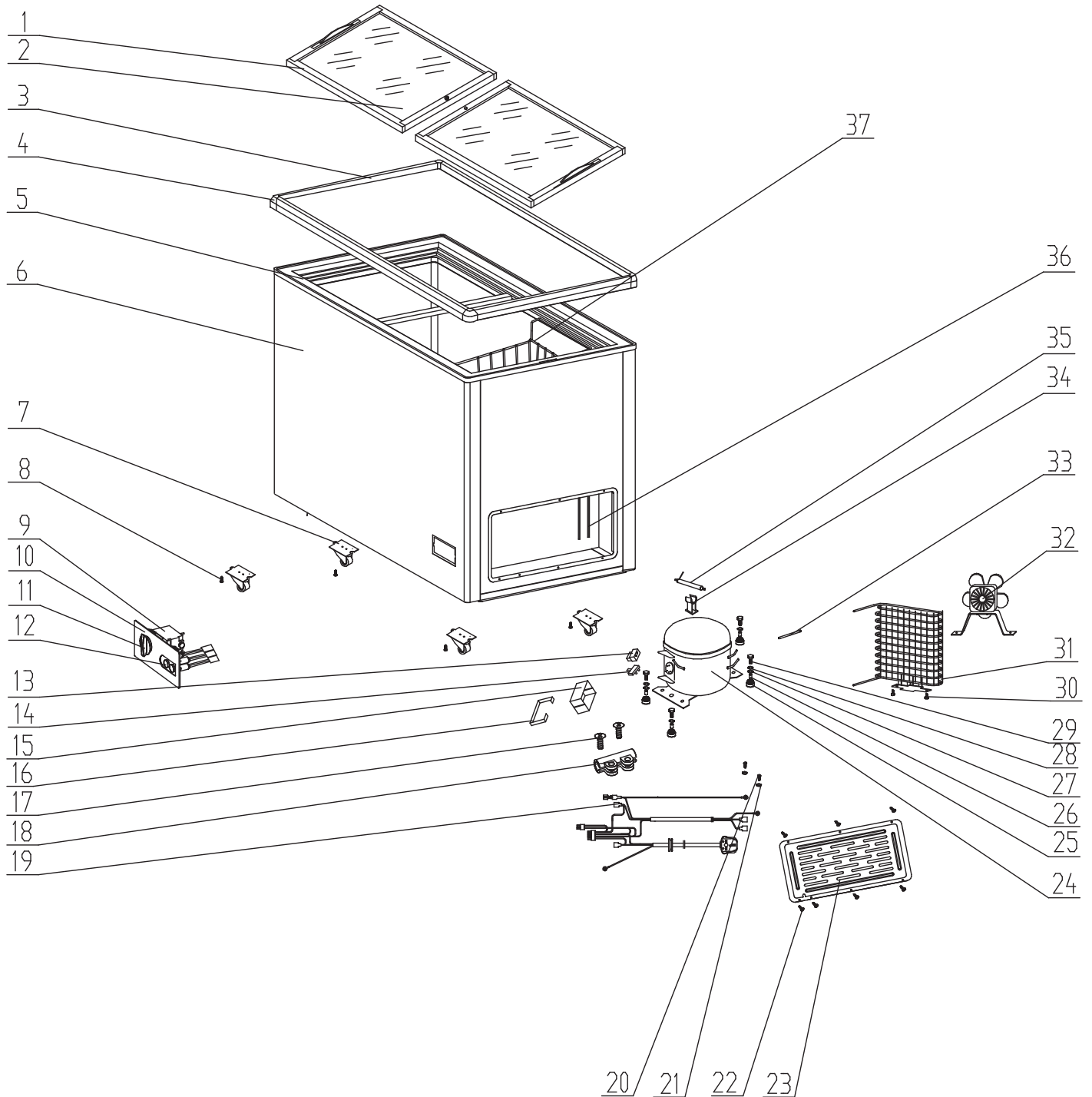
## Model FR-CN-0320 45293

Item No.	Description	Position	Item No.	Description	Position	Item No.	Description	Position
64470	Upper Door for 45293	1	79777	PTC Starter for 45293	14	79787	Connecting Sleeve for 45293	27
79767	Lower Door for 45293	2	79778	Protector for 45293	15	79788	Washer for 45293	28
79768	Aluminum Alloy Frame for 45293	3	79779	Cover for 45293	16	79789	Spring Hooks for 45293	29
79770	Corner for 45293	4	79780	Clamp for 45293	17	79790	Bolt for 45293	30
64472	Cabinet Plastic Frame for 45293	5	64474	Screw for 45293	18	AE744	Bolt for 45293	31
79771	Cabinet for 45293	6	79781	Printable Double-Hollow Wire Clamp for 45293	19	64478	Back Condenser for 45293	32
79803	Castor for 45293	7	79783	Power Plug for 45293	20	79792	Fan Motor for 45293	33
64473	Screw for 45293	8	64475	Copper Screw for 45293	21	79793	Charge Pipe for 45293	34
AE741	Castor with Brakes for 45293	9	64476	Washer for 45293	22	79794	Filter Support for 45293	35
79804	Thermostat for 45293	10	64477	Tapping Screw for 45293	23	79823	Filter for 45293	36
79805	Thermostat Control Panel for 45293	11	79784	Shutter for 45293	24	79796	Back Condensor for 45293	37
79806	Thermostat Knob for 45293	12	79785	Compressor for 45293	25	43825	Basket for 45293	38
39587	Indicator Lamp for 45293	13	79786	Rubber Boot for 45293	26	AE745	Key for 45293	

# Parts Breakdown

**Model FR-CN-0400** 49294

**Model FR-CN-0500** 49295



# Parts Breakdown

## Model FR-CN-0400 49294

Item No.	Description	Position	Item No.	Description	Position	Item No.	Description	Position
AL179	Glass Door Frame for 49294	1	AL192	Protector for 49294	14	AL205	Washer for 49294	27
AL180	Glass Door for 49294	2	AL193	Cover for 49294	15	AL206	Spring Hooks for 49294	28
AL181	Aluminum Alloy Frame for 49294	3	AL194	Clamp for 49294	16	AL207	Bolt for 49294	29
AL182	Corner for 49294	4	AL195	Screw for 49294	17	AL208	Bolt for 49294	30
AL183	Cabinet Plastic Frame for 49294	5	AL196	Orientable Double-Hollow Wire Clamp for 49294	18	AL209	Condenser for 49294	31
AL184	Cabinet for 49294	6	AL197	Power Plug for 49294	19	AL210	Fan Motor for 49294	32
AL185	Castor for 49294	7	AL198	Copper Screw for 49294	20	AL211	Charge Pipe for 49294	33
AL186	Screw for 49294	8	AL199	Washer for 49294	21	AL212	Filter Support for 49294	34
AL187	Thermostat for 49294	9	AL200	Tapping Screw for 49294	22	AL213	Filter for 49294	35
AL188	Thermostat Control Panel for 49294	10	AL201	Shutter for 49294	23	AL214	Back Condenser for 49294	36
AL189	Thermostat Knob for 49294	11	AL202	Compressor for 49294	24	AL215	Basket for 49294	37
AL190	Indicator Lamp for 49294	12	AL203	Rubber Boot for 49294	25			
AL191	PTC Starter for 49294	13	AL204	Connecting Sleeve for 49294	26			

## Model FR-CN-0500 49295

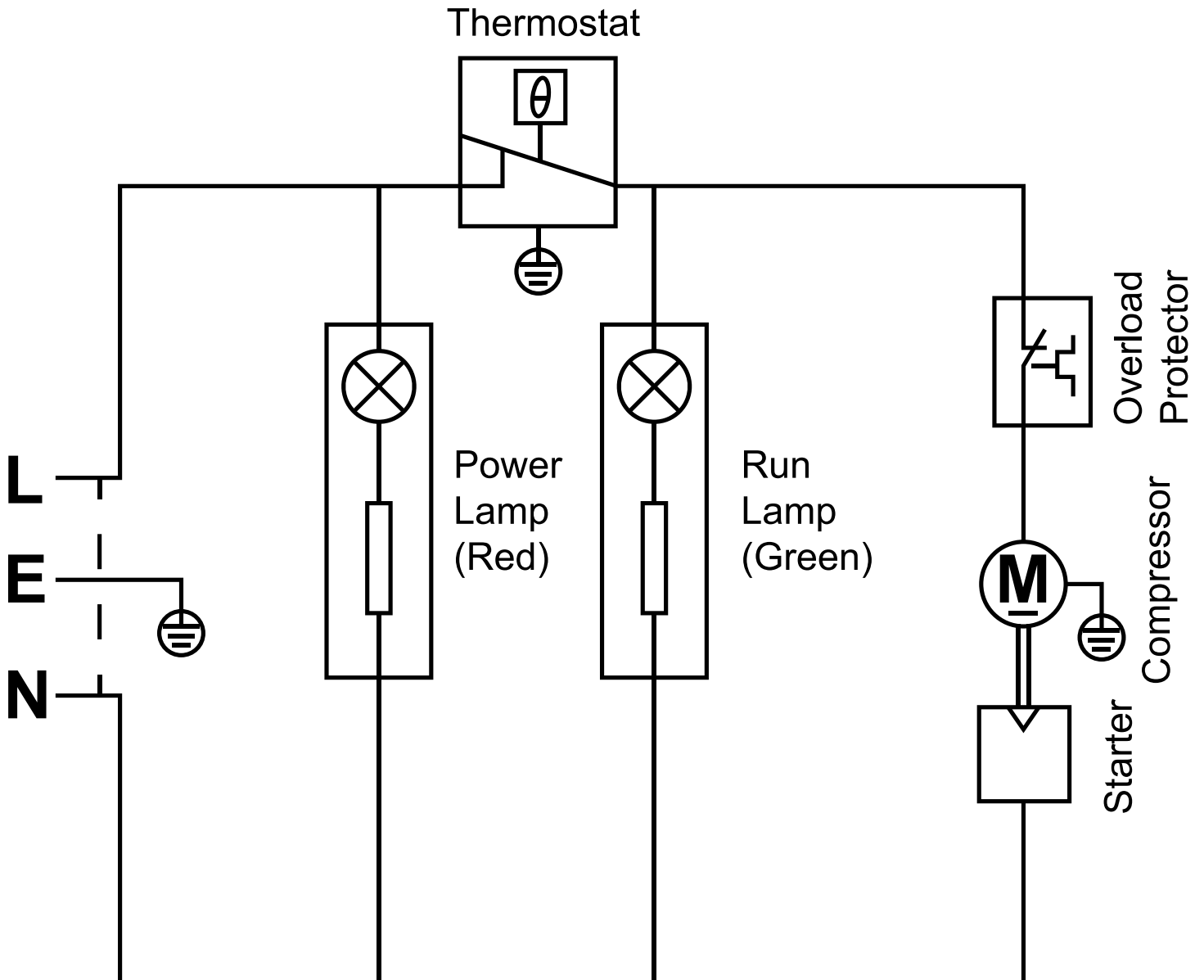
Item No.	Description	Position	Item No.	Description	Position	Item No.	Description	Position
AL216	Glass Door Frame for 49295	1	AL192	Protector for 49295	14	AL205	Washer for 49295	27
AL217	Glass Door for 49295	2	AL193	Cover for 49295	15	AL206	Spring Hooks for 49295	28
AL218	Aluminum Alloy Frame for 49295	3	AL194	Clamp for 49295	16	AL207	Bolt for 49295	29
AL219	Corner for 49295	4	AL195	Screw for 49295	17	AL208	Bolt for 49295	30
AL220	Cabinet Plastic Frame for 49295	5	AL196	Orientable Double-Hollow Wire Clamp for 49295	18	AL209	Condenser for 49295	31
AL221	Cabinet for 49295	6	AL197	Power Plug for 49295	19	AL210	Fan Motor for 49295	32
AL185	Castor for 49295	7	AL198	Copper Screw for 49295	20	AL211	Charge Pipe for 49295	33
AL186	Screw for 49295	8	AL199	Washer for 49295	21	AL212	Filter Support for 49295	34
AL187	Thermostat for 49295	9	AL200	Tapping Screw for 49295	22	AL213	Filter for 49295	35
AL188	Thermostat Control Panel for 49295	10	AL201	Shutter for 49295	23	AL214	Back Condenser for 49295	36
AL189	Thermostat Knob for 49295	11	AL202	Compressor for 49295	24	AL215	Basket for 49295	37
AL190	Indicator Lamp for 49295	12	AL203	Rubber Boot for 49295	25			
AL191	PTC Starter for 49295	13	AL204	Connecting Sleeve for 49295	26			



# Electrical Schematics

Model FR-CN-0150 45291

Model FR-CN-0200 45292

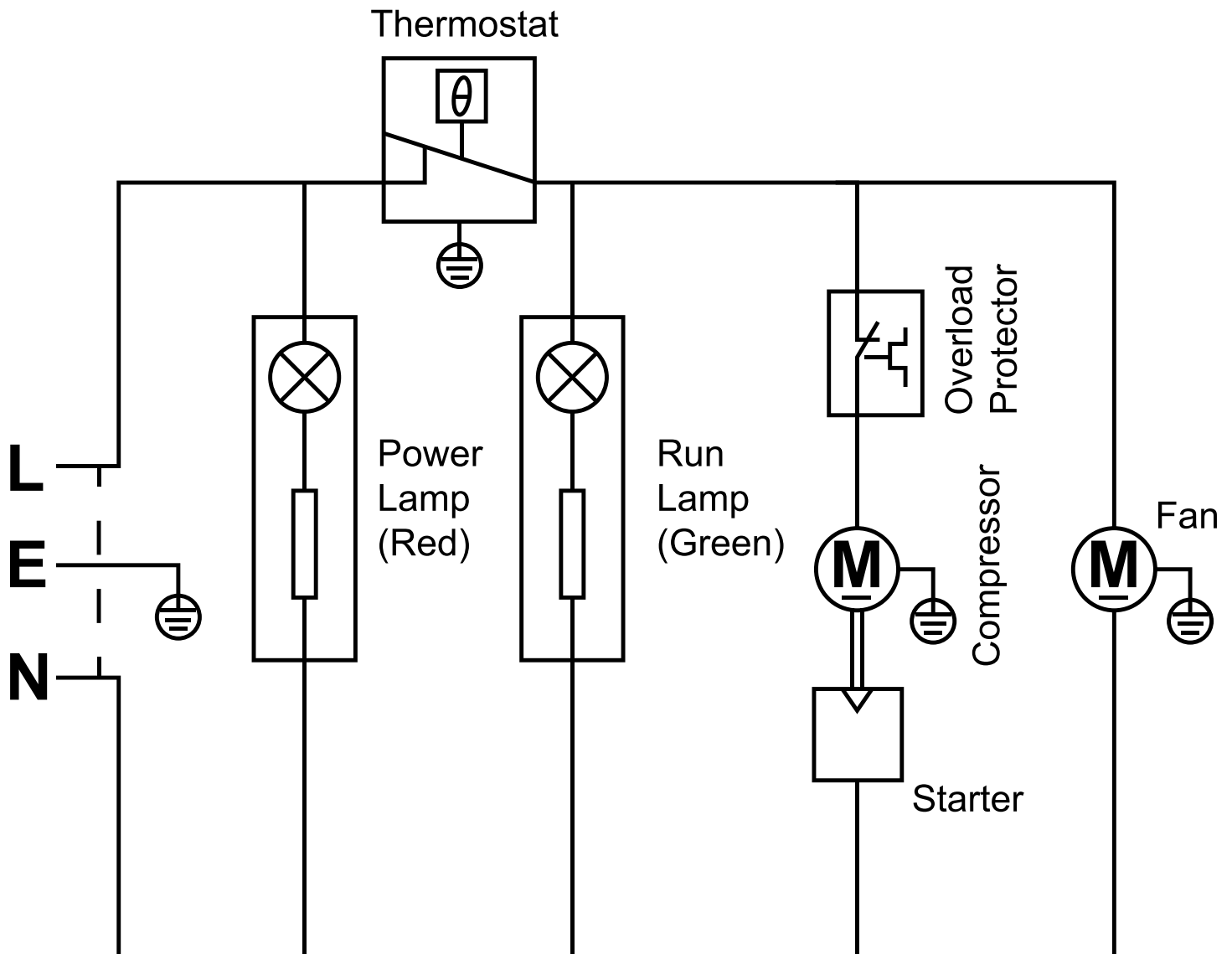


# Electrical Schematics

**Model FR-CN-0320** 45293

**Model FR-CN-0400** 49294

**Model FR-CN-0500** 49295





# Warranty Registration

Thank you for purchasing an Omcan product. To register your warranty for this product, complete the information below, tear off the card at the perforation and then send to the address specified below. You can also register online by visiting:

Merci d'avoir acheté un produit Omcan. Pour enregistrer votre garantie pour ce produit, complétez les informations ci-dessous, détachez la carte au niveau de la perforation, puis l'envoyer à l'adresse spécifiée ci-dessous. Vous pouvez également vous inscrire en ligne en visitant:

Gracias por comprar un producto Omcan usted. Para registrar su garantía para este producto, complete la información a continuación, cortar la tarjeta en la perforación y luego enviarlo a la dirección indicada a continuación. También puede registrarse en línea en:

<https://omcan.com/warranty-registration/>

For mailing in Canada

Pour postale au Canada

Por correo en Canadá

**OMCAN**

PRODUCT WARRANTY REGISTRATION

3115 Pepper Mill Court,

Mississauga, Ontario

Canada, L5L 4X5

For mailing in the US

Pour diffusion aux États-Unis

Por correo en los EE.UU.

**OMCAN**

PRODUCT WARRANTY REGISTRATION

4450 Witmer Industrial Estates, Unit 4,

Niagara Falls, New York

USA, 14305

*or email to: [service@omcan.com](mailto:service@omcan.com)*



Purchaser's Information

Name: \_\_\_\_\_

Address: \_\_\_\_\_

City: \_\_\_\_\_ Province or State: \_\_\_\_\_ Postal or Zip: \_\_\_\_\_

Country: \_\_\_\_\_

Dealer from which Purchased: \_\_\_\_\_

Dealer City: \_\_\_\_\_ Dealer Province or State: \_\_\_\_\_

Invoice: \_\_\_\_\_

Model Name: \_\_\_\_\_ Model Number: \_\_\_\_\_

Machine Description: \_\_\_\_\_

Date of Purchase (MM/DD/YYYY): \_\_\_\_\_

Would you like to extend the warranty?  Yes  No

Company Name: \_\_\_\_\_

Telephone: \_\_\_\_\_

Email Address: \_\_\_\_\_

Type of Company:

Restaurant  Bakery  Deli

Butcher  Supermarket  Caterer

Institution (specify): \_\_\_\_\_

Other (specify): \_\_\_\_\_

Serial Number: \_\_\_\_\_

Date of Installation (MM/DD/YYYY): \_\_\_\_\_

**Thank you for choosing Omcan | Merci d'avoir choisi Omcan | Gracias por elegir Omcan**



Since 1951 Omcan has grown to become a leading distributor of equipment and supplies to the North American food service industry. Our success over these many years can be attributed to our commitment to strengthen and develop new and existing relationships with our valued customers and manufacturers. Today with partners in North America, Europe, Asia and South America, we continually work to improve and grow the company. We strive to offer customers exceptional value through our qualified local sales and service representatives who provide convenient access to over 6,500 globally sourced products.

---

Depuis 1951 Omcan a grandi pour devenir un des “leaders” de la distribution des équipements et matériel pour l’industrie des services alimentaires en Amérique du Nord. Notre succès au cours de ces nombreuses années peut être attribué à notre engagement à renforcer et à développer de nouvelles et existantes relations avec nos clients et les fabricants de valeur. Aujourd’hui avec des partenaires en Amérique du Nord, Europe, Asie et Amérique du Sud, nous travaillons continuellement à améliorer et développer l’entreprise. Nous nous efforçons d’offrir à nos clients une valeur exceptionnelle grâce à nos ventes locales qualifiées et des représentants de service qui offrent un accès facile à plus de 6500 produits provenant du monde entier.

---

Desde 1951 Omcan ha crecido hasta convertirse en un líder en la distribución de equipos y suministros de alimentos en América del Norte industria de servicios. Nuestro éxito en estos años se puede atribuir a nuestro compromiso de fortalecer y desarrollar nuevas relaciones existentes con nuestros valiosos clientes y fabricantes. Hoy con socios de América del Norte, Europa, Asia y América del Sur, que trabajan continuamente para mejorar y crecer la empresa. Nos esforzamos por ofrecer a nuestros clientes valor excepcional a través de nuestro local de ventas y representantes de los servicios que proporcionan un fácil acceso a más de 6,500 productos con origen a nivel mundial.

